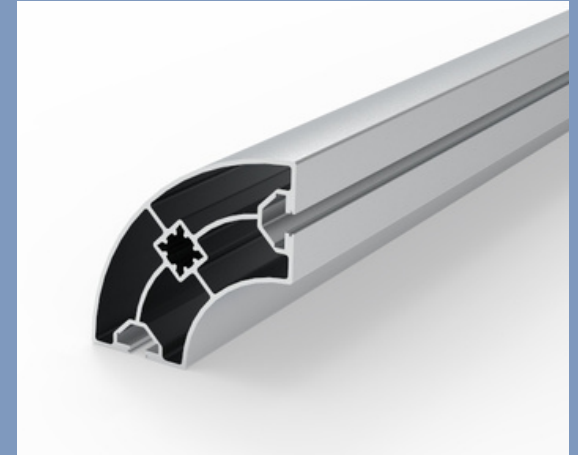
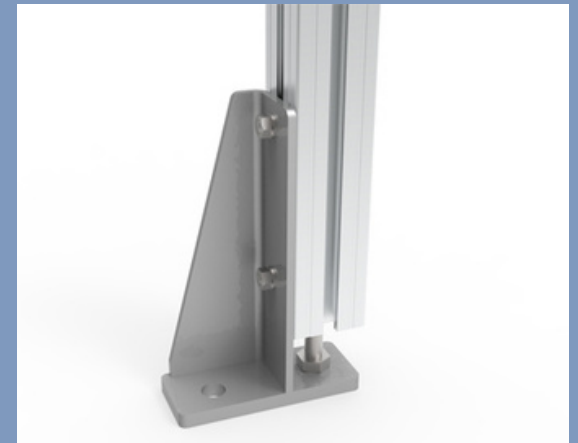




## PRODUCT NEWS SUMMER 2023



Extrusions



Accessories

## NOVELTIES

### 1. Online catalogue

### 2. New products

- Radius extrusion 100x100, Type A03-9
- Corner extrusion 30x60, Type B02-5
- Suspension extrusion base 30, Type S91-013
- Inlay profile, Type A39-56, B39-56, C39-56
- Insert extrusion PVC base 30, Type B39-51
- Ground anchoring bracket, Type C37-31
- Lug, Type A62-30, B62-30 und C62-30
- Double extrusion nuts, Type A32-36 C32-46

### 3. Product optimisations

- Handle strip extrusion, Type B65-6
- Softline extrusion 30x30, Type B01-8
- Semi-circular sealing strip, Type A39-86
- Angle extrusion, Type A30-4

Inhaltsübersicht

	Über uns	2-3 Editorial 4-5 Produkte 12-23 Anwendungen
	Technische Daten	24-29 Werkstoffdaten 26-28 Profilübersicht 29 Toleranzen
	Systemprofile PVS*	50-67 Profile Basis 50 68-81 Profile Basis 45 82-99 Profile Basis 40
	Spezialprofile	105-124 Spezialprofile 125-127 Winkelprofile 128-131 Diverse
	Verbindungstechnik	132-141 Profilverbindingssystem PVS* 142 PVS*-verbinder Zubehör 143-144 Festigkeitsangaben
	Zubehör	150-152 Montagewinkel 153 Uniblöcke, Klammblöcke 154 Befestigungswinkel 155-158 Gewindestangen, Nutenstange
	Rohrverbindingssystem Kaps	220 Technische Daten 221-222 Klammenelemente 223-229 Schwelkelemente
	Service	232-233 Unser Service 234-237 Stillhalterverzeichnis 238 Kanya Standort weltweit

**Aluminium extrusion system – modern and simple**

KANTA AG is a leading global aluminium extrusion system and stands out based on the Kanya aluminium supply design solutions in the sectors of agricultural engineering, automation and the machine manufacturing industry.

Our headquarters in Rüti ZH (Switzerland), over 50 regional offices and production facilities are located in Europe, Africa, Asia and Australia. The modern industrial building with an area of over 30000m² offers optimal requirements for efficient order processing. Globally, we cooperate with over 20 long-standing independent partners. Our international contractual partners have their own warehouses and the associated production structure. This network means that Kanya profiles and components are available to all intents and purposes over the whole world.

# NEW! ONLINE CATALOGUE

- 1 Page links to the respective products within the catalogue
- 2 Direct link to website for all aluminium extrusions (CAD download and request)
- 3 Video or website links for more information
- 4 Alloy details for all aluminium extrusions (technical information)
- 5 Faster user guidance through double pages

**Our service range**

- ✓ range of articles ex stock
- ✓ extrusions cut to measure and processed
- ✓ consultation and engineering
- ✓ pre- or completely assembled
- ✓ external material procurement

Company video

40 mm base extrusion

**Four sided softline extrusion 40x40 type C10-0**

**Application**  
These extrusions are used in cleanroom applications, in the food industry or any where where no open slots are to be found and where smooth surfaces are desired. Thanks to the tip off slots, all connection options are guaranteed.

**Technical data**

h <sub>1</sub>	= 44 mm
h <sub>2</sub>	= 47 mm
Cross section area	= 147 cm <sup>2</sup>
Weight	= 1.6 kg/m
Alloy	EN AW-6060

**Order data**    **Order number:**  
Four sided softline extrusion 40x40  
Standard length 3000 mm    C10-03M  
Four sided softline extrusion 40x40  
Cut to length    C10-03D...  
Easy machining    [Page 51-52](#)

40 mm base extrusion

**Four sided softline extrusion 40x80 type C10-3**

**Application**  
Due to its dimensions, this extrusion achieves high stability and is mostly used in clean room areas or in the food industry.

**Technical data**

h <sub>1</sub>	= 88 mm
h <sub>2</sub>	= 93 mm
h <sub>3</sub>	= 17 mm
h <sub>4</sub>	= 93 mm
Cross section area	= 163 cm <sup>2</sup>
Weight	= 2.2 kg/m
Alloy	EN AW-6060

**Order data**    **Order number:**  
Four sided softline extrusion 40x80  
Standard length 3000 mm    C10-3M  
Four sided softline extrusion 40x80  
Cut to length    C10-3D...

40 mm base extrusion

**Four sided softline extrusion 80x80 type C10-4**

**Application**  
The lightweight, fully closed extrusion with a dimension 80x80, together with the slotted and drilled of the softline range of extrusions, is used in cleanroom applications and for aesthetic applications where no slots are desired. The slots can be easily opened thanks to the production technology used. Closing slots demands no additional work and equipment. Partial opening of slots does not pose a problem, thereby allowing access to be ensured into the slots of constructions.

**Technical data**

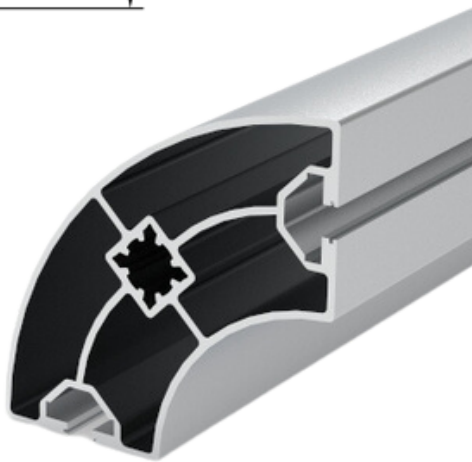
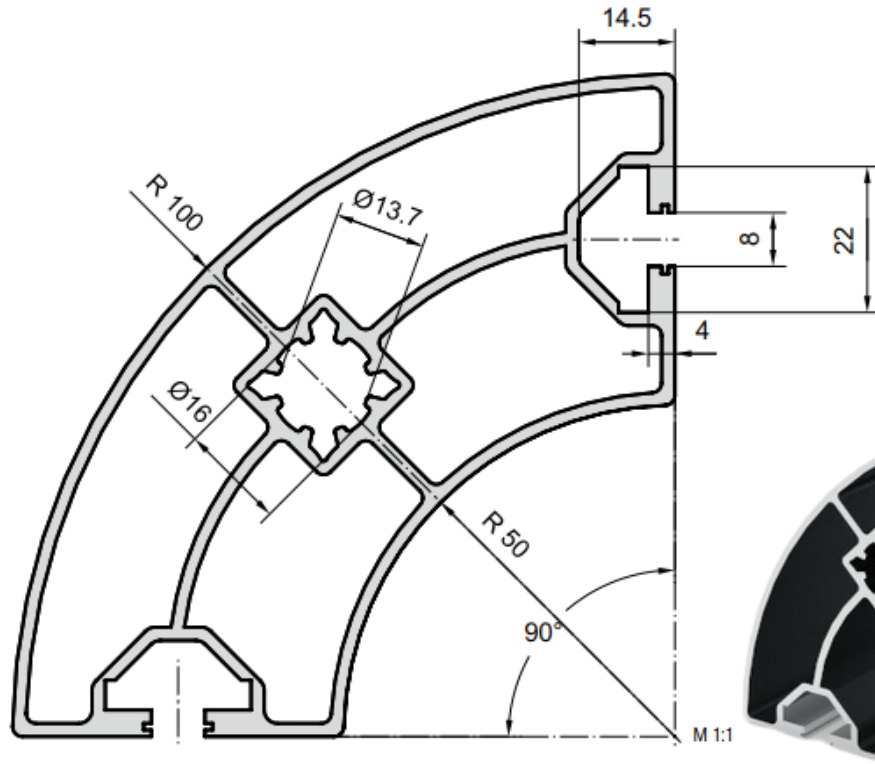
h <sub>1</sub>	= 118 mm
h <sub>2</sub>	= 128 mm
Cross section area	= 163 cm <sup>2</sup>
Weight	= 4.5 kg/m
Alloy	EN AW-6060

**Order data**    **Order number:**  
Softline extrusion 80x80  
Standard length 3000 mm    C10-4M  
Softline extrusion 80x80  
Cut to length    C10-4D...  
Easy machining    [Page 51-52](#)

Online catalogue



# Radius extrusion 100x100 Type A03-9



**NEW! EXTRUSIONS – BASE 50**

**Radius extrusion 100x100 –**  
This new extrusion convinces with its elegant appearance and gives your construction a modern look.

## Application

There is a core hole at the front of the extrusion, which allows easy mounting of an adjustable foot. A cover can be provided by a lasered aluminium plate. This is screwed on by means of a threaded reducing sleeve.



## Technical data

$I_x, y$	=	100.0 cm <sup>4</sup>
$W_x, y$	=	20.0 cm <sup>3</sup>
Cross-section area	=	12.02 cm <sup>2</sup>
Weight	=	3.2 kg/m
Alloy		EN AW-6063

## Order data      Order number

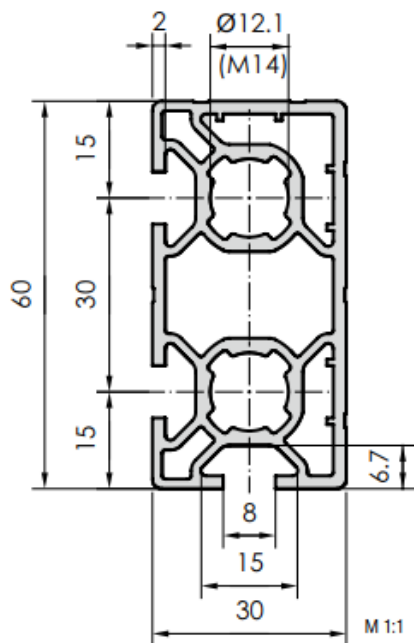
Radius extrusion 100x100	
Standard length 5000 mm	A03-9-5M
Radius extrusion 100x100	
Cut to length	A03-9-02-02/...

Extra machining      [Pages 43-47](#)

 **CAD download**  
 **and RFP**



## Corner extrusion 30x60 type B02-5



### Application

Corner extrusions are suitable for machine frames, guards, safety partitions and much more.

### Technical data

$I_x$	=	5.92 cm <sup>4</sup>
$I_y$	=	21.73 cm <sup>4</sup>
$W_x$	=	7.24 cm <sup>3</sup>
$W_y$	=	3.946 cm <sup>3</sup>
Cross-section area	=	5.90 cm <sup>2</sup>
Weight	=	1.6 kg/m
Alloy	=	EN AW-6063

### Order data

Order data	Order number
Corner extrusion 30x60	
Standard length 5000 mm	B02-5-5M
Corner extrusion 30x60	
Cut to length	B02-5-02-02/...

**NEW!** EXTRUSIONS – BASE 30



**Corner extrusion 30x60** – versatile and suitable for machine frames



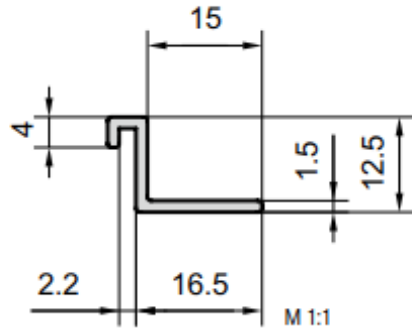
**CAD download**



**and RFP**



## Suspension extrusion base 30 type S91-013



### Application

The suspension extrusion for aluminium of the base 30 is flush with the extrusion. It is used for supporting surface elements such as glass, etc. No fixing screws are required for this.

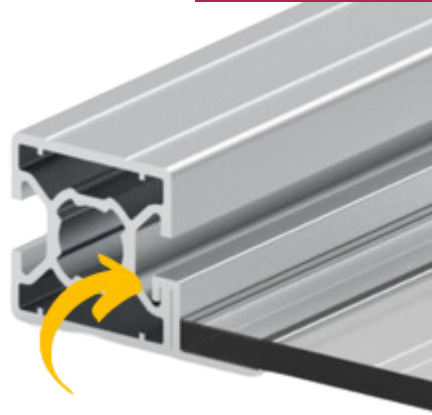
### Technical data

Cross-section area	= 0.5 cm <sup>2</sup>
Weight	= 0.14 kg/m
Alloy	EN AW-6063

### Order data

Order data	Order number
Suspension extrusion	
Standard length 5000 mm	S91-013-5M
Suspension extrusion	
Cut to length	S91-013-02-02/...

**NEW!** EXTRUSIONS – BASE 30



**Suspension extrusion base 30 –**  
enables simple and efficient  
assembly



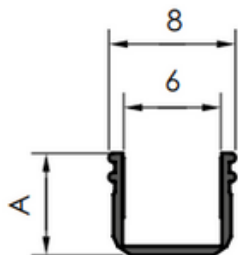
**CAD download**



**and RFP**



## Inlay profile



### Application

For simple glazing (laminated safety glass up to 6.7 mm), the insert profile with adhesive strips for aluminium profiles of base 30, 40 und 50 can be used.

### Specification

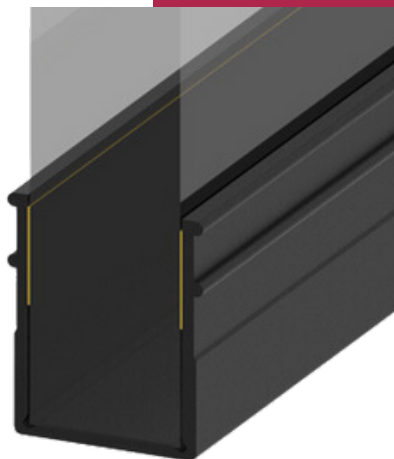
TPE-V

### Measurement data

	A
A39-56	14.5
C39-56	10
B39-56	6.7

### Order data

Order data	Order number
<b>Inlay profile</b>	<b>50 base</b>
Standard length of rolls of 2x 50 m	A39-56
Cut to length	A39-56-02-02/...
<b>Einlageprofil</b>	<b>40 base</b>
Standard length of rolls of 2x 50 m	C39-56
Cut to length	C39-56-02-02/...
<b>Einlageprofil</b>	<b>30 base</b>
Standard length of rolls of 2x 50 m	B39-56
Cut to length	B39-56-02-02/...



**NEW!** EXTRUSIONS – BASE 30/40/50

**Inlay profile –**  
the ideale solution for inserting  
of 6 mm safety glass



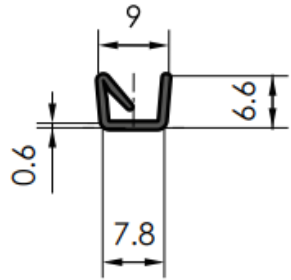
**CAD download**



**and RFP**



## Insert extrusion PVC Base 30



### Application

The inlay extrusion is used when installing panel elements with a thickness of 5 and 6 mm.

### Specification

PVC grey for panel thicknesses: 5 and 6 mm

Order data	Order number
Insert extrusion	
Standard length 5000 mm	B39-51-5M
Cut to length	B39-51-02-02/...

**NEW!** EXTRUSIONS – BASE 30/40/50



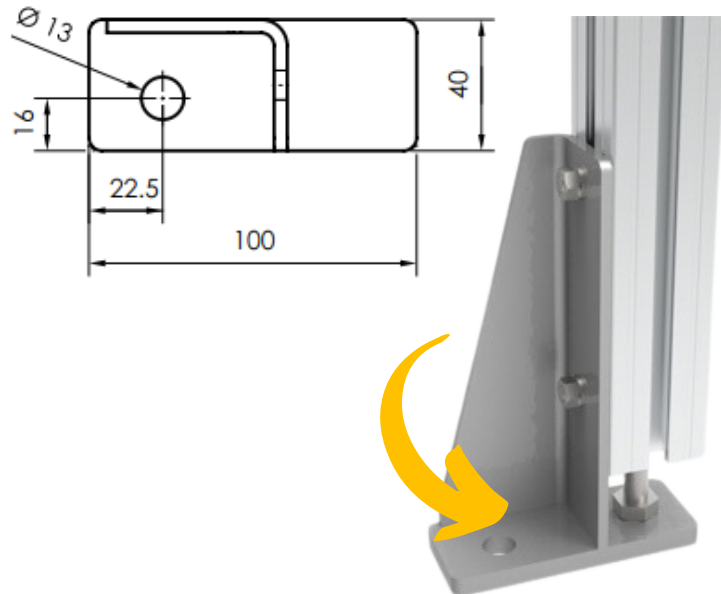
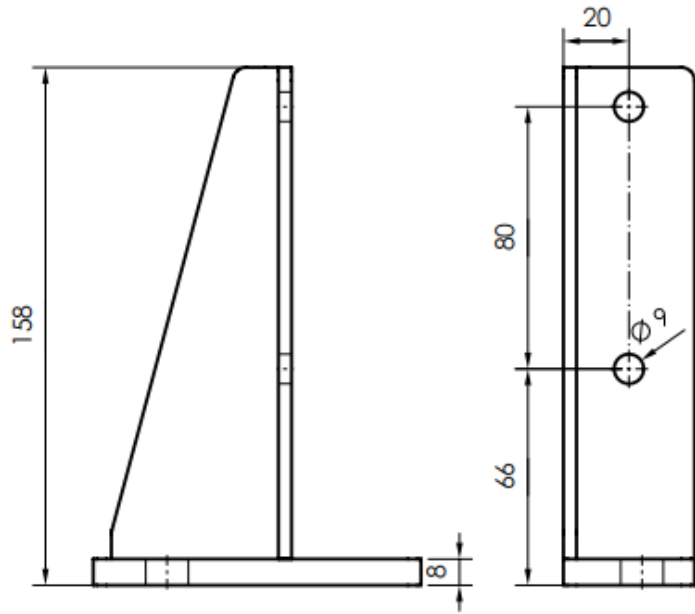
**Insert extrusion PVC, base 30** – specially developed for the installation of 5-6 mm panel elements

 **CAD download**  
 **and RFP**





# Ground anchoring bracket



### Application

The ground anchoring bracket enables simple floor mounting of 40x40 and 40x80 aluminium extrusion including levelling option.

### Specification

Steel, grey powder-coated

### Fixing kit\*

- 2 T-bolts
- 1 levelling screw M10x60
- 1 threaded insert A33-20

\*Fixing kit: add -S to the order number

Order data	Order number
Ground anchoring bracket	C47-31(-S)*

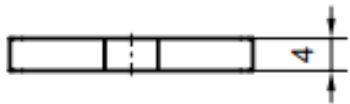
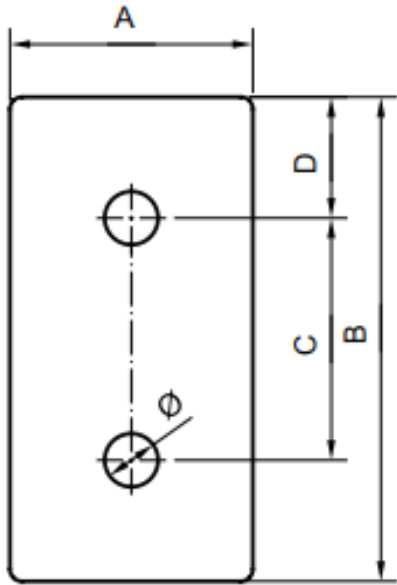
## NEW! ACCESSORIES

Ground anchoring bracket – the practical solution for easy floor mounting

 **CAD download**  
 **and RFP**



# Lug



## Application

The lugs in the basic dimensions 30x60, 40x80 and 50x100 can be used universally and offer many application possibilities.

## Specification

Al, anodised in natural colour

## Measurement data

	A	B	C	D	Ø
Base 30	30	60	30	15	6.6
Base 40	40	80	40	20	9
Base 50	50	100	50	25	9

## Order data

## Order number

Lug 30x60	B62-30
Lug 40x80	C62-30
Lug 50x100	A62-30



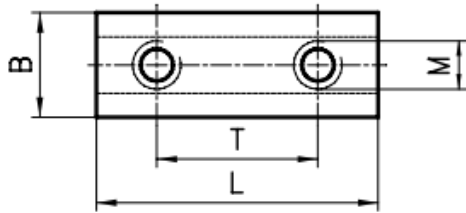
## NEW! ACCESSORIES

Lugs –  
can be used universally and offer  
many application possibilities

 **CAD download**  
 **and RFP**



# Double extrusion nuts



## Measurement data

### Double extrusion nuts

Extrusion base	B	H	L	T	M
50 (ball)	18	12.2	80	50	M8
40 (ball)	17	8	60	40	M8
50/45	14	7.8	48	33	M6
40 (ball)	13.6	5.9	38	28.7	M6

### Swivel in double extrusion nuts

Extrusion base	B	H	L	T	M
50/45	14	7.8	40	30	M6
40 (ball)	13.6	5.9	40	30	M6
30	11	4.1	40	30	M6
30	11	4.1	30	18	M4

## Application

Double extrusion nuts should be used with PVS® threaded connectors where extremely high strength joints are required. Swivel in double extrusion nuts are used for the assembly of hinges (page 195) and quick-release fasteners (page 204).



## Order data

Double extrusion nuts	Extrusion base		
Thread M	50	40	30
M8	A32-84	C32-84	-
Swivel in double extrusion nuts			
M6	A32-67*	C32-67	B32-67
M6	A32-36*	C32-36	-
M4	-	-	B32-47

\* for base 50+45



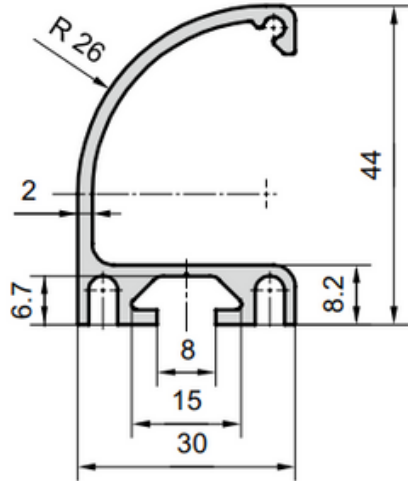
## NEW! ACCESSORIES

**Double extrusion nuts, Type A32-36 und C32-36 –**  
The new double extrusion nuts, matching the distance to the direct connectors, simplify the assembly.

 **CAD download**  
 **and RFP**



## Handle strip extrusion type B65-6



### Application

The handle strip can be used as a drawer handle or also as a handle for doors and windows.

### Technical data

Cross-section area	=	2.37 cm <sup>2</sup>
Weight	=	0.64 kg/m
Alloy		EN AW-6063

### Order data

Order data	Order number
Handle strip extrusion 30x44	
Standard length 5000 mm	B65-6-5M
Handle strip extrusion 30x44	
Cut to length	B65-6-02-02/...

## PRODUCT OPTIMISATION

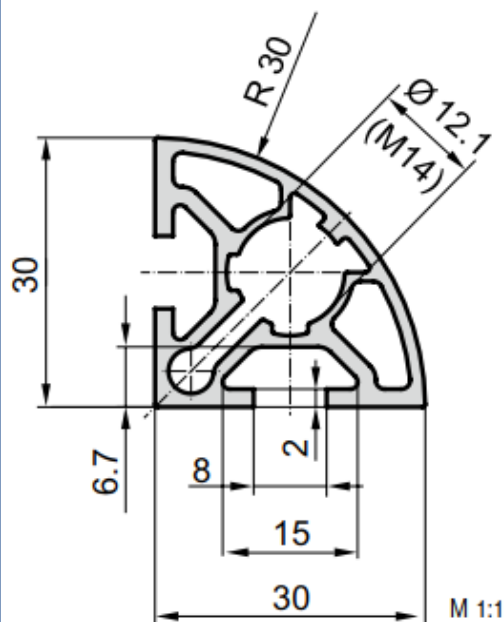


**Handle strip extrusion –**  
The new handle strip extrusion now offers a fixing option from the rear through the nut in base B

 **CAD download**  
 **and RFP**



# 30x30 softline extrusion type B01-8



## Application

This extrusion is used to build furniture, display cases and other objects without obtrusive sharp edges.

## Technical data

$I_{x, y}$	=	2.16 cm <sup>4</sup>
$W_{x, y}$	=	1.44 cm <sup>3</sup>
Cross-section area	=	2.56 cm <sup>2</sup>
Weight	=	0.7 kg/m
Alloy		EN AW-6060

## Order data      Order number

30x30 softline extrusion	
Standard length 5000 mm	B01-8-5M
30x30 softline extrusion	
Cut to length	B01-8-02-02/...
Extra machining	<a href="#">Pages 43-47</a>



## PRODUCT OPTIMISATION

### Softline extrusion 30x30 –

The new cross-section offers increased stability and prevents opening during heavy tightening with a double mitre connector.



**CAD download**

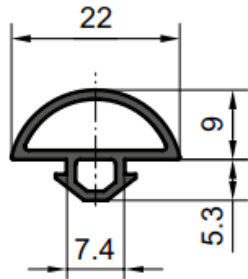


**and RFP**





# Semi-circular sealing strip



## Application

The semi-circular sealing strip can be inserted into the slots on almost all cross-sections of the base 50, 45, 40, 30 and 20. It is used as a seal of any kind, mostly also in clean room technology.

## Specification

Material tpe 65, black

Order data	Order number
------------	--------------

### Semi-circular sealing strip

Standard length of rolls of 25 m A39-86-25M

Cut to length A39-86-02-02/...



## PRODUCT OPTIMISATION

### Semi-circular sealing strip –

The revised semi-circular sealing strip can now also be mounted in all extrusions with base 30 and offers improved assembly.



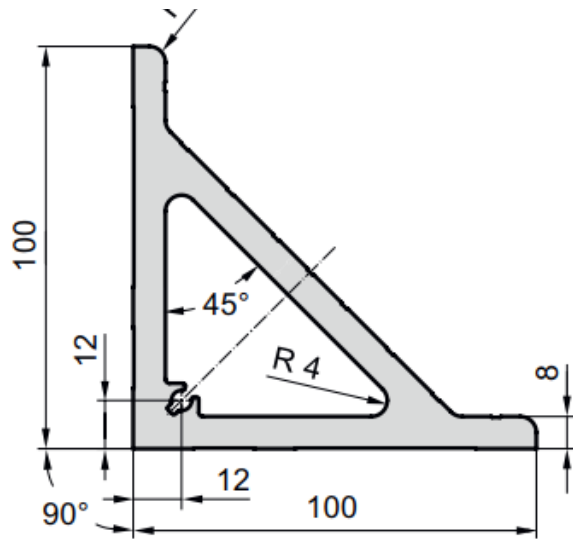
**CAD download**



**and RFP**



## Angle extrusion type A30-4



### Application

These very strong angle extrusions are the source material for the mounting brackets. They're also used to reinforce heavily loaded constructions.

### Technical data

Cross-section area	= 23.63 cm <sup>2</sup>
Weight	= 6.38 kg/m
Alloy	EN AW-6060

### Order data      Order number

Angle extrusion raw 100x100	
Standard length 3000 mm	A30-4-3M
Angle extrusion raw 100x100	
Cut to length	A30-4-02-02/...

## PRODUCT OPTIMISATION



**Angle extrusion 100x100 –**  
The new cross-section of the angle extrusion includes a directly cut M6 thread, which eliminates the need for a previously pressed-in element and improves fastening.

 **CAD download**  
 **and RFP**



## FEEDBACK



We look forward to your feedback.

[CLICK HERE](#)

or scan QR-code

